

FIG. 1
(PRIOR ART)

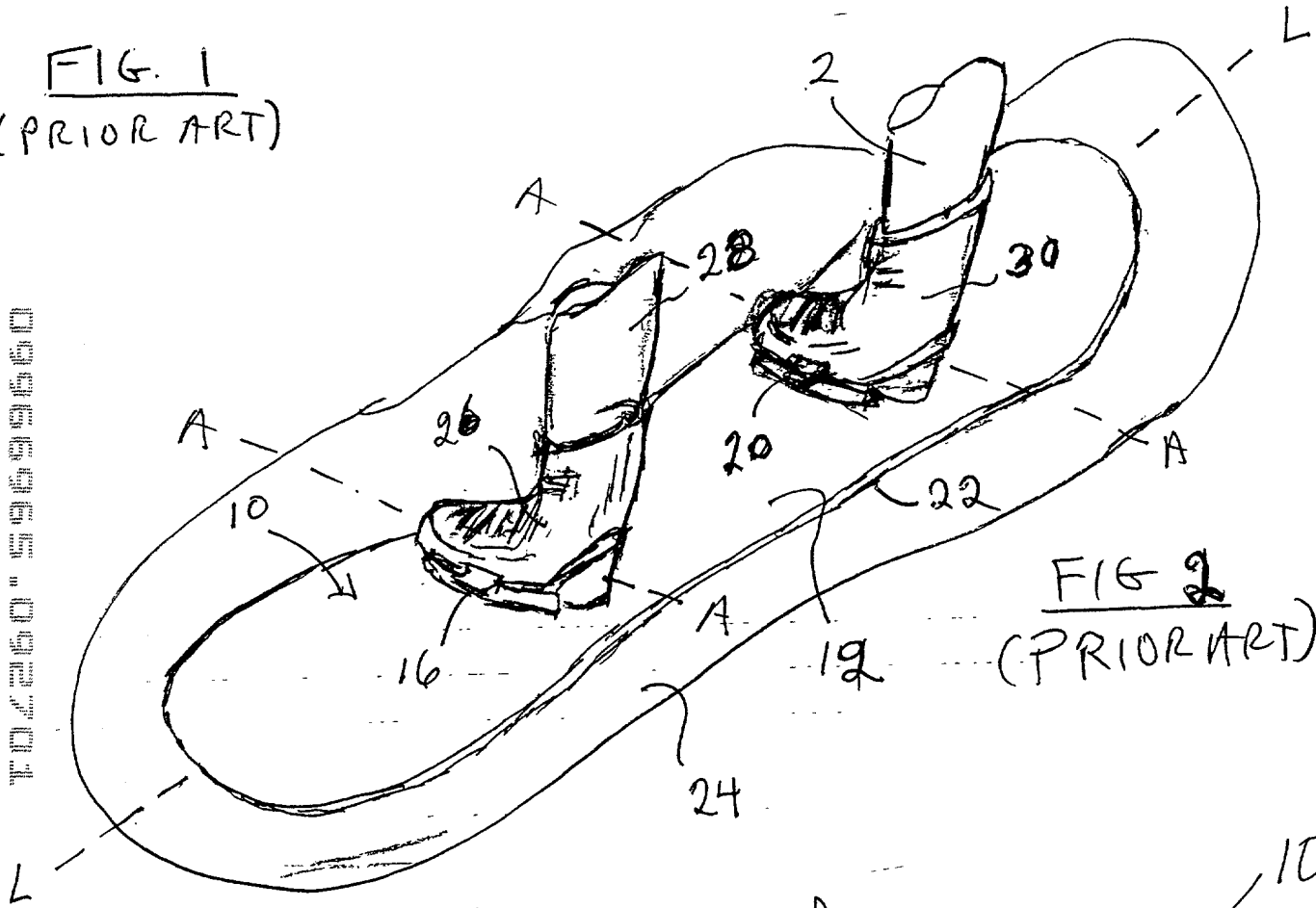


FIG. 2
(PRIOR ART)

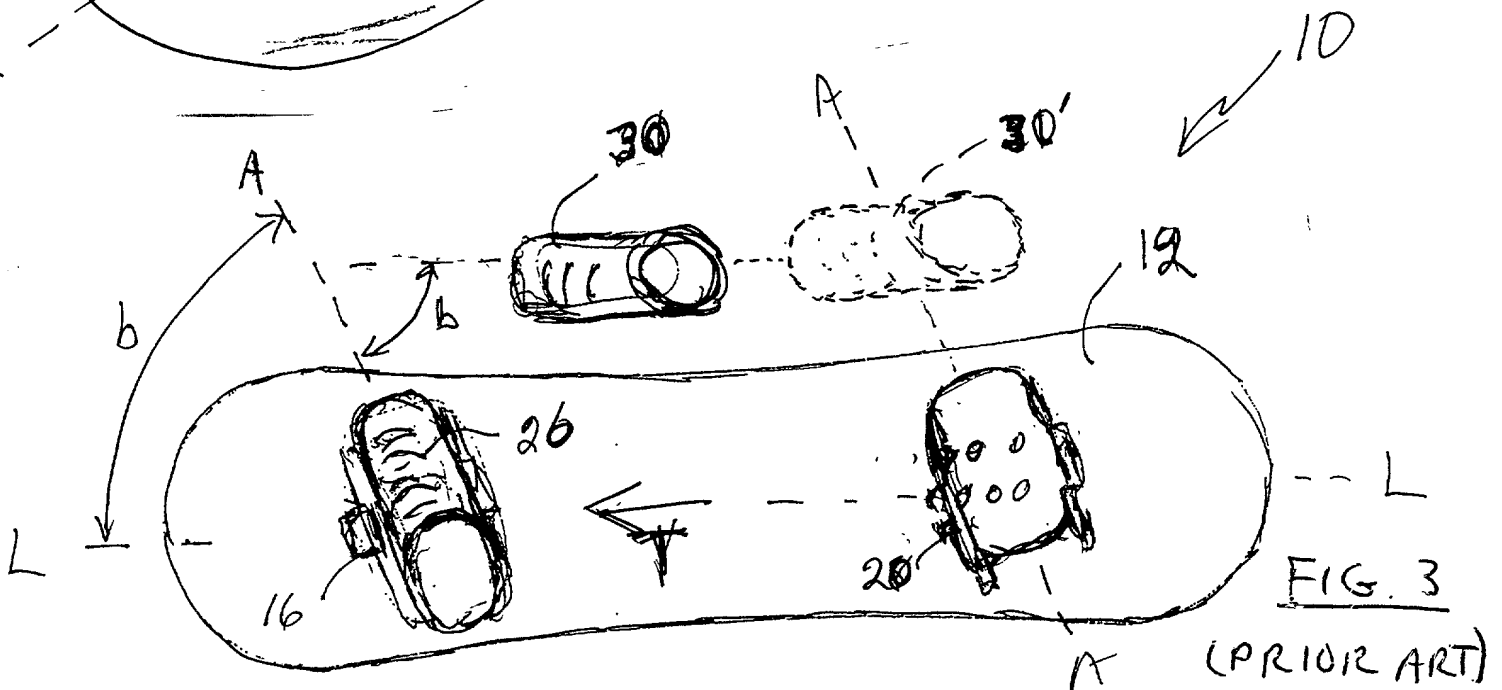


FIG. 3
(PRIOR ART)

TOP SECRET

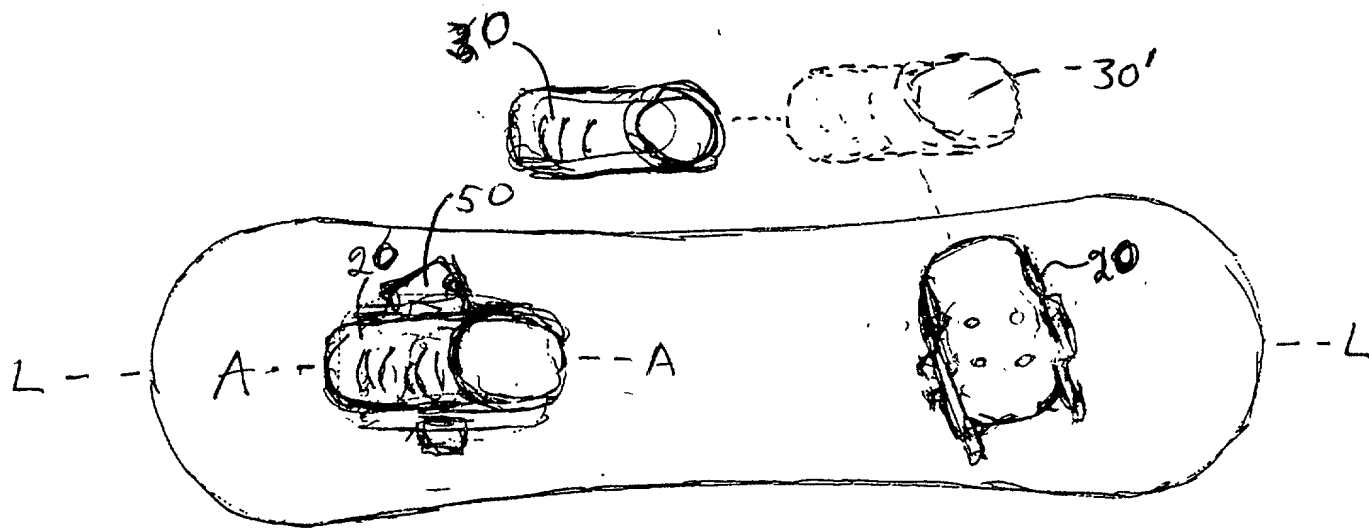


FIG. 4

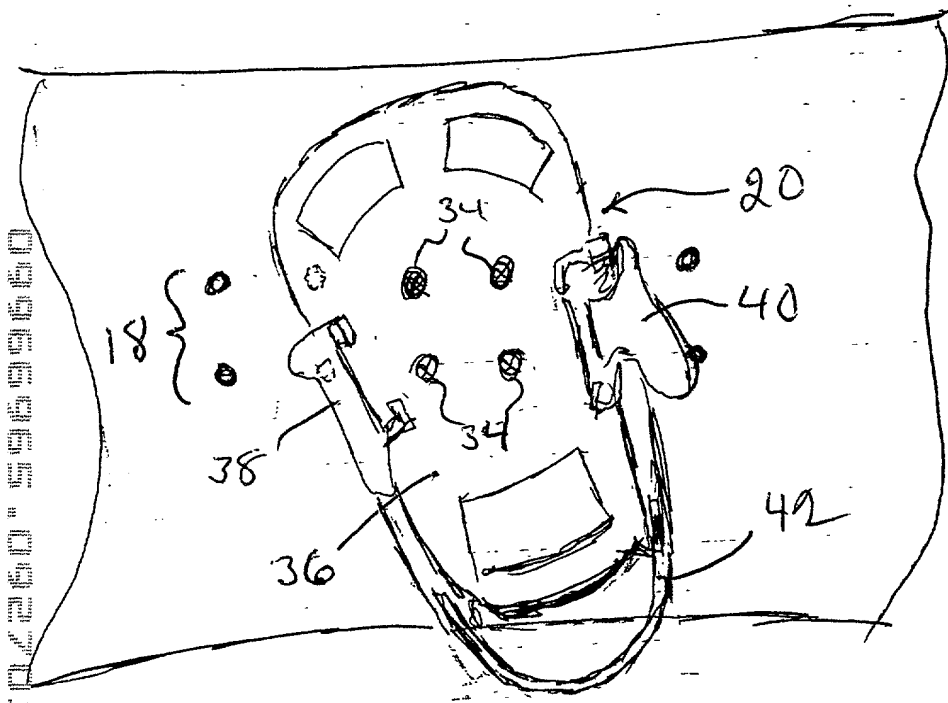


FIG. 5

(PRIOR ART)

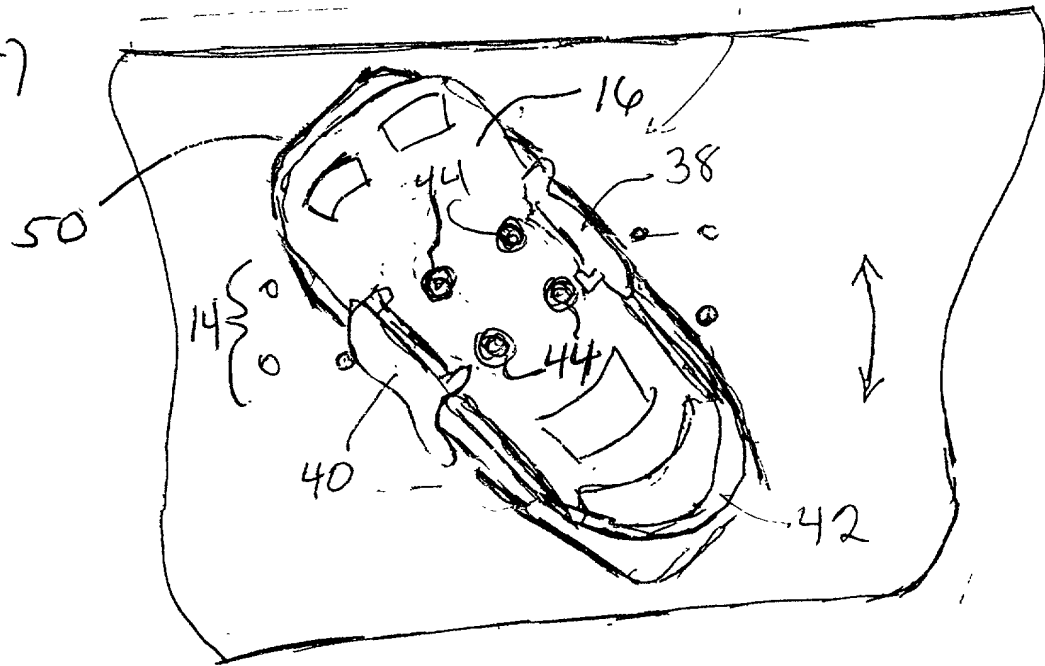


FIG. 6

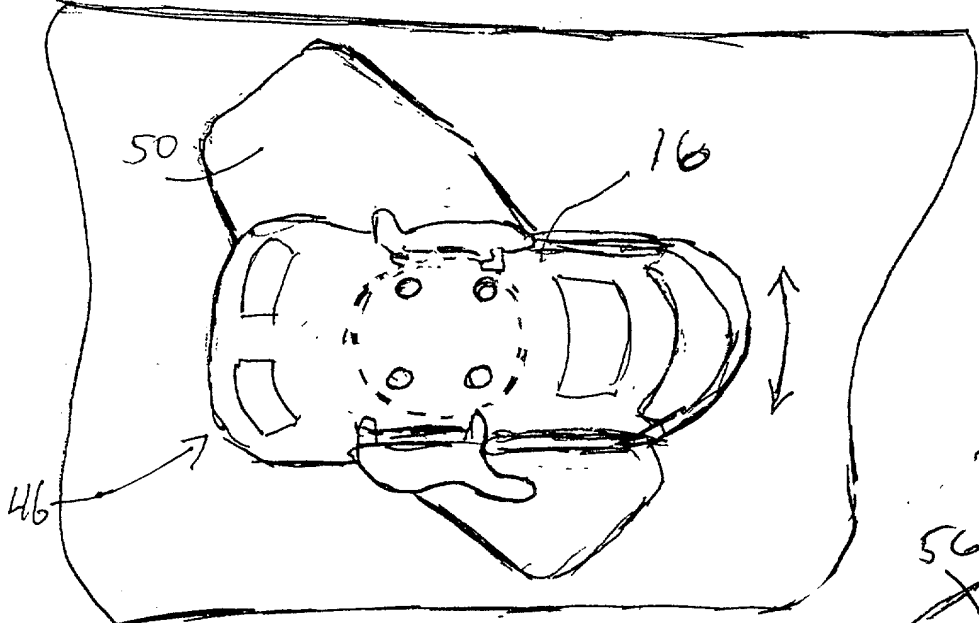


FIG. 7

FOR 260" 5959360

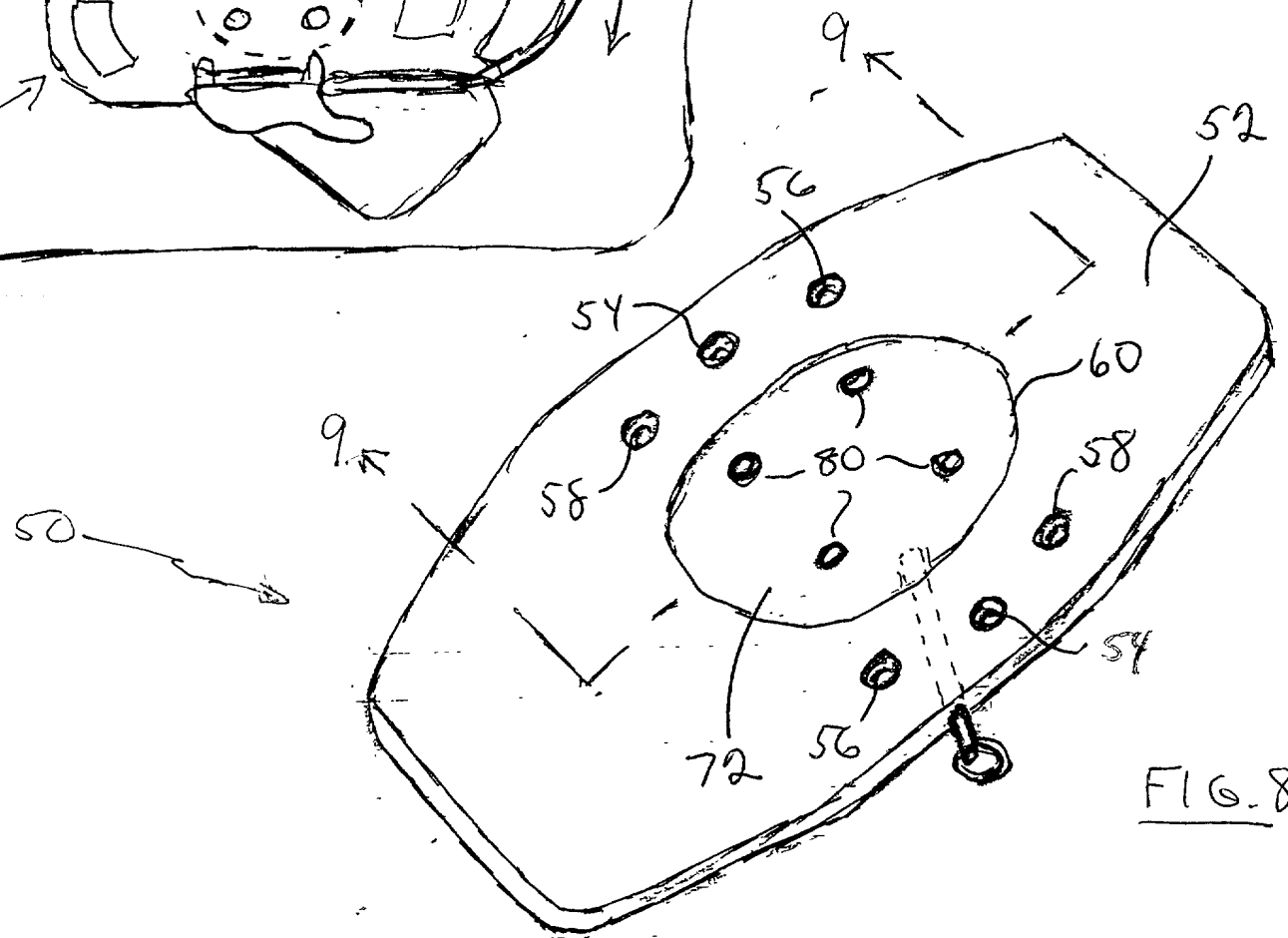


FIG. 8

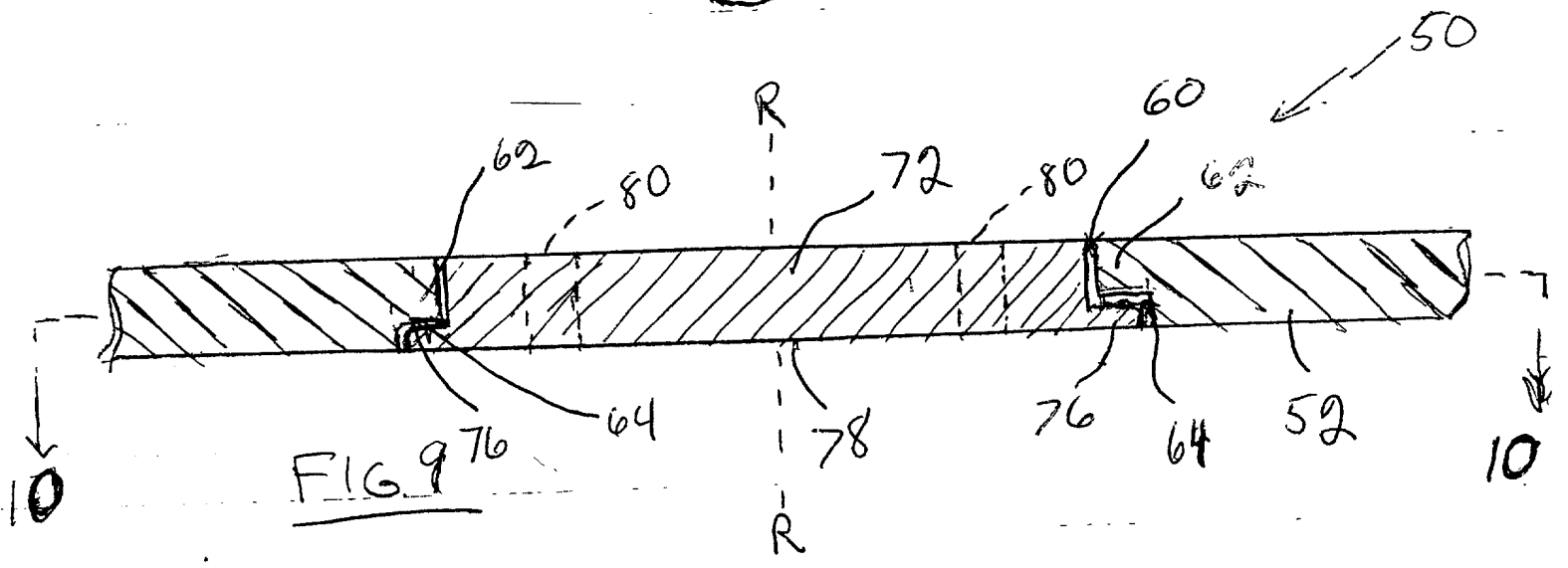


FIG. 9

FOR 250" 5059550

